

# N50

72Nm

## VFN series

## Full stainless steel round worm gearboxes

Input speed (n1) = 1400 min-1

Output speed n2 [min-1]	Ratio i	Motor power P1M [kW]	Output torque M2M [Nm]	Service factor f.s	Nominal power P1R [kW]	Nominal torque M2R [Nm]	B5 motor flanges			B14 motor flanges			Dynamic efficiency RD	Tooth module [mm]	Ratio code
							-	-	-P	-Q	-R	63			
200	10	0.75	29	1.9	1.5	57			B-C	B		82	2.5	01	
140	14	0.75	41	1.5	1.1	62			B-C	B		80	2.4	02	
100	18	0.75	57	1.2	0.90	68			B-C	B		79	2.6	03	
78	26	0.55	51	1.2	0.67	62			B-C	B		75	2.0	04	
54	30	0.55	67	1.0	0.54	66			B-C	B		69	2.7	05	
47	36	0.55	79	0.9	0.50	72			B-C	B		70	2.5	12	
39	43	0.37	63	1.2	0.43	72			B-C			69	2.1	06	
33	50	0.37	72	1.0	0.35	68			B-C			66	1.8	07	
28	60	0.25	53	1.2	0.31	66			B-C			62	1.5	13	
23	68	0.25	59	1.0	0.26	62			B-C			58	1.3	08	
21	80	0.25	66	0.9	0.22	58			B-C			57	1.2	09	
17.5	100	0.18	53	1.1	0.19	57			B-C			54	1.0	10	
14	102	0.12	41	1.3	0.15	51			B-C			50	0.8	11	

Motor flanges available



B) Supplied with reduction bushing

B) Available on request without reduction bushing



C) Motor flange holes position

### Lubrication

Unit N50 is supplied with synthetic oil to assure long life lubrication.

Food grade oil is available on request.

See Table 1 for lubrication and recommended quantity.

See Table 2 for possible radial and axial loads on the gearbox.

Oil quantity for all positions: 0.18 L	Shell Omala S4 WE 320	Eni Telium VSF 320

### Suggested

Stainless steel protection cap (on request).

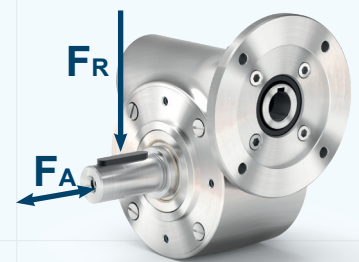
Kit cod. KN500209



### Radial and axial loads

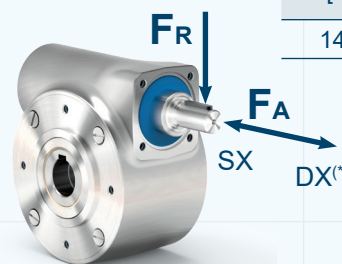
Output shaft

n2 [min-1]	Fa [N]	Fr [N]
200	240	1200
150	280	1400
100	300	1500
75	340	1700
50	380	1900
25	480	2500
15	560	2800



Input shaft

n1 [min-1]	Fa [N]	Fr [N]
1400	76	380



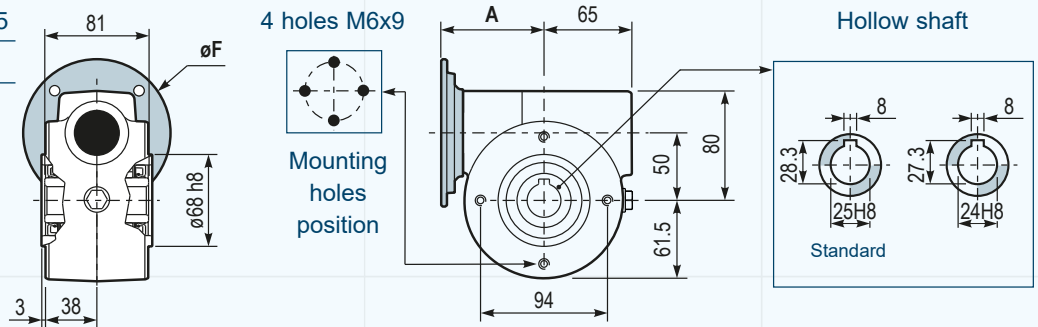
\* Strong axial loads in the DX direction are not allowed.

## PN50 UNI

Basic gearbox

M. flanges	Kit code	øF	A
63B14	KI504047	90	78
71B14	KI504045	105	75.5
80B14	KI504046	120	76

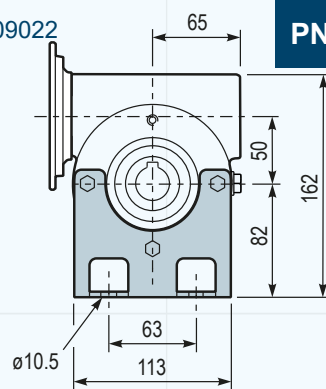
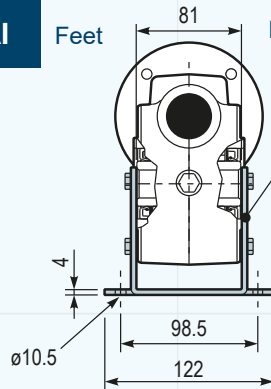
Gearbox weight	5.3 kg
----------------	--------



## PN50 PAI

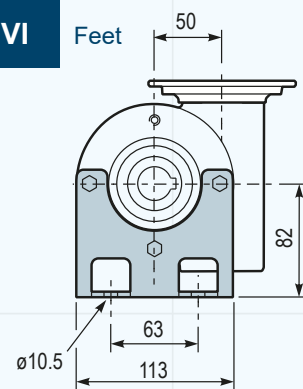
Feet

kit cod. KN509022



## PN50 PVI

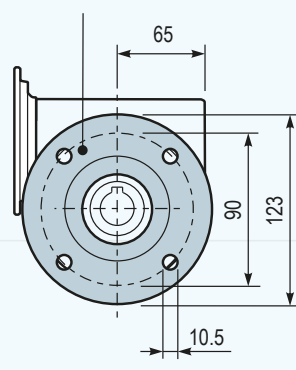
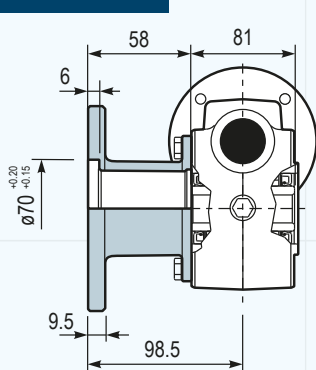
Feet



## PN50 FLL

Output flange

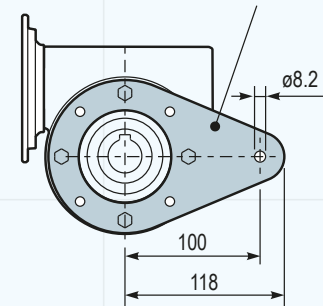
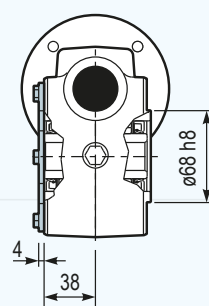
kit cod. KN509011



## PN50 BRI

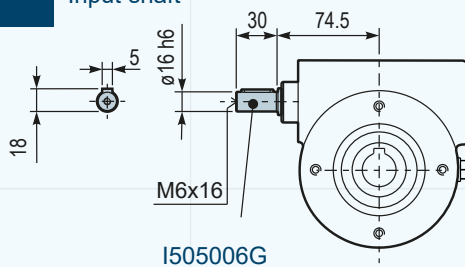
Reaction arm

kit cod. KN509027



## RN50UNI

Input shaft



## PN50 SMB

Single output shaft

kit cod. KN500209  
Protection cap  
(on request)

