

N63

147Nm

VFN series

Full stainless steel round worm gearboxes

Input speed (n1) = 1400 min-1

Output speed n2 [min-1]	Ratio i	Motor power P1M [kW]	Output torque M2M [Nm]	Service factor f.s	Nominal power P1R [kW]	Nominal torque M2R [Nm]	B5 motor flanges			B14 motor flanges			Dynamic efficiency RD	Tooth module [mm]	Ratio code
							-	-	-P	-Q	-R	71			
200	7	1.8	71	1.8	3.2	125			B-C	B-C		83	3.1	01	
140	10	1.8	99	1.4	2.4	134			B-C	B-C		81	3.1	02	
93	15	1.5	121	1.1	1.7	138			B-C	B-C		79	3.1	03	
74	19	1.1	111	1.2	1.4	138			B-C	B-C		78	2.6	04	
58	24	1.1	135	1.0	1.2	142			B-C	B-C		75	2.0	05	
47	30	1.1	167	0.9	0.96	146			B-C	B-C		74	3.2	06	
39	36	0.75	125	1.2	0.88	147			B-C	B-C		68	2.7	07	
35	40	0.75	135	1.0	0.78	140			B-C	B-C		66	2.5	13	
31	45	0.55	111	1.2	0.67	135			B-C	C		66	2.1	08	
23	60	0.55	140	0.9	0.51	130			B-C	C		62	1.6	12	
21	67	0.55	151	0.8	0.45	124			B-C	C		60	1.5	09	
17.5	80	0.37	115	1.0	0.38	119			B-C	C		57	1.3	10	
14.9	94	0.37	123	1.0	0.36	119			B-C	C		52	1.1	11	

Motor flanges available



B) Supplied with reduction bushing

B) Available on request without reduction bushing



C) Motor flange holes position

Lubrication

Unit N63 is supplied with synthetic oil to assure long life lubrication.

Food grade oil is available on request.

See Table 1 for lubrication and recommended quantity.

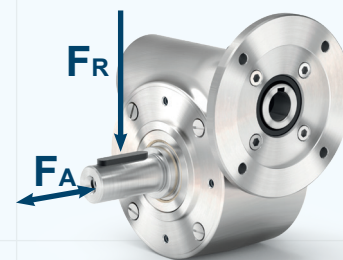
See Table 2 for possible radial and axial loads on the gearbox.

Oil quantity for all positions: 0.45 L	Shell Omala S4 WE 320	Eni Telium VSF 320

Radial and axial loads

Output shaft

n2 [min-1]	Fa [N]	Fr [N]
200	360	1800
150	400	2000
100	460	2300
75	500	2500
50	600	3000
25	700	3800
15	800	4000



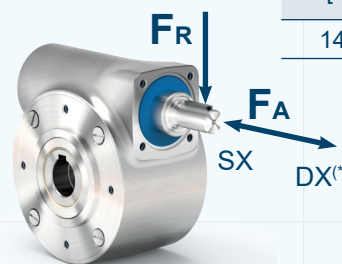
Suggested

Stainless steel protection cap
(on request)

Kit cod. KN630209



Input shaft



n1 [min-1]	Fa [N]	Fr [N]
1400	90	450

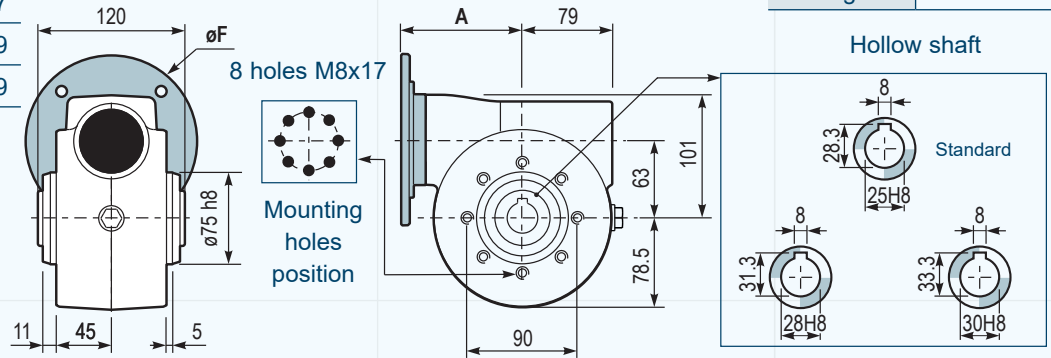
* Strong axial loads in the DX direction are not allowed.

PN63 UNI

Basic gearbox

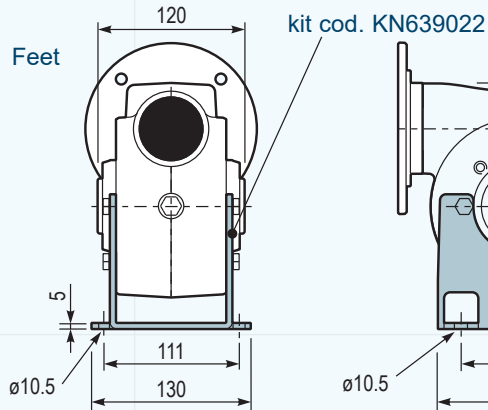
M. flanges	Kit code	øF	A
71B14	KI634047	105	97
80B14	KI634046	120	99
90B14	KI634041	140	99

Gearbox weight	10.0 kg
----------------	---------



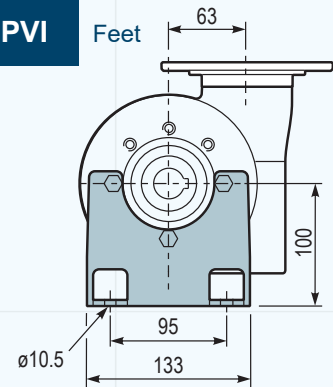
PN63 PAI

Feet



PN63 PVI

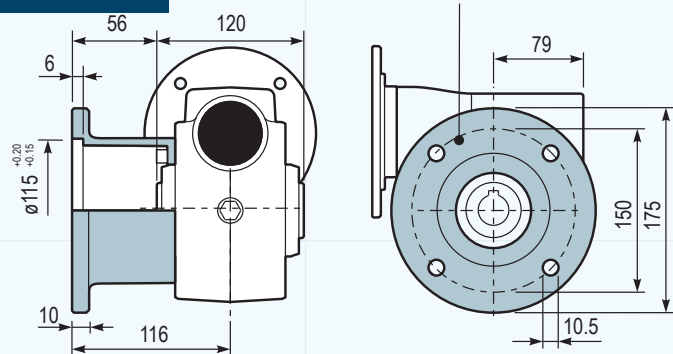
Feet



PN63 FLL

Output flange

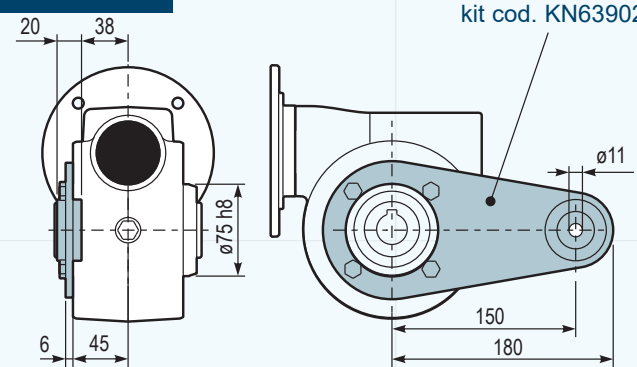
kit cod. KN639011



PN63 BRI

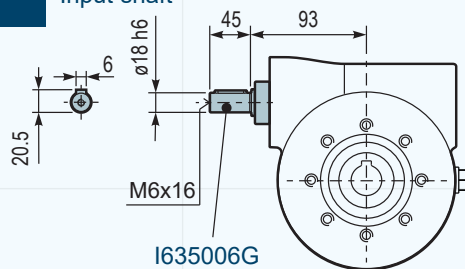
Reaction arm

kit cod. KN639027



RN63UNI

Input shaft



PN63 SMF

Single output shaft

kit cod. KN630209
Protection cap
(on request)

