


N85

347Nm

VFN series

Full stainless steel round worm gearboxes

Input speed (n1) = 1400 min-1

Output speed n2 [min-1]	Ratio i	Motor power P1M [kW]	Output torque M2M [Nm]	Service factor f.s	Nominal power P1R [kW]	Nominal torque M2R [Nm]	B5 motor flanges			B14 motor flanges			Dynamic efficiency RD	Tooth module [mm]	Ratio code 
							-	-	-R	-T	-U	90			
200	7	4.0	168	1.5	6.1	257			B	B		88	4.23	01	
140	10	4.0	218	1.3	5.2	284			B	B		80	4.2	02	
100	14	3.0	223	1.4	4.1	305			B	B		78	4.5	03	
70	20	2.2	237	1.2	2.7	294			B	B		79	3.4	04	
64	22	2.2	258	1.1	2.5	294			B	B		78	3.1	05	
50	28	2.2	315	1.1	2.4	347			B	B		75	4.7	06	
37	38	1.5	276	1.2	1.8	336			B			71	3.5	07	
30	46	1.5	320	1.0	1.5	326			B			68	3.1	08	
27	52	1.1	258	1.1	1.2	289			B			66	2.7	09	
21	67	1.1	327	0.9	0.97	289			B			65	2.1	10	
18.9	74	0.75	220	1.2	0.91	268			B			58	1.9	11	
14.6	96	0.55	191	1.3	0.70	242			B			53	1.5	12	

Motor flanges available



B) Supplied with reduction bushing

B) Available on request without reduction bushing



C) Motor flange holes position

Lubrication

Unit N85 is supplied with synthetic oil to assure long life lubrication.

Food grade oil is available on request.

See Table 1 for lubrication and recommended quantity.

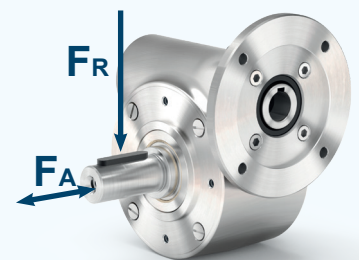
See Table 2 for possible radial and axial loads on the gearbox.

Oil quantity for all positions: 1.0 L	Shell Omala S4 WE 320	Eni Telium VSF 320

Radial and axial loads

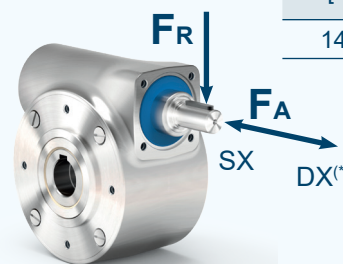
Output shaft

n2 [min-1]	Fa [N]	Fr [N]
200	500	2500
150	580	2900
100	600	3000
75	700	3500
50	800	4000
25	1000	5000
15	1160	5800



Input shaft

n1 [min-1]	Fa [N]	Fr [N]
1400	130	650



* Strong axial loads in the DX direction are not allowed.

Suggested

Stainless steel protection cap
(on request)

Kit cod. KN850209

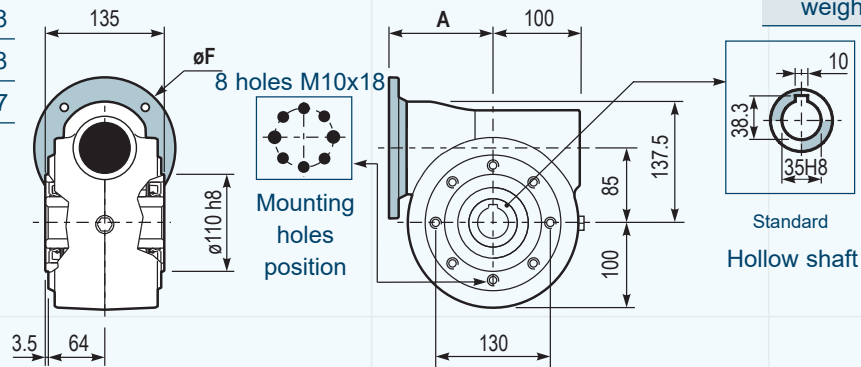


PN85 UNI

Basic gearbox

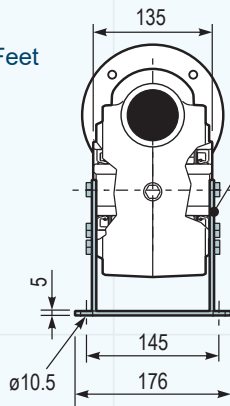
M. flanges	Kit code	øF	A
80B14	KI854046	120	118
90B14	KI854045	140	118
100/112B14	KI854041	160	127

Gearbox weight	21.0 kg
----------------	---------

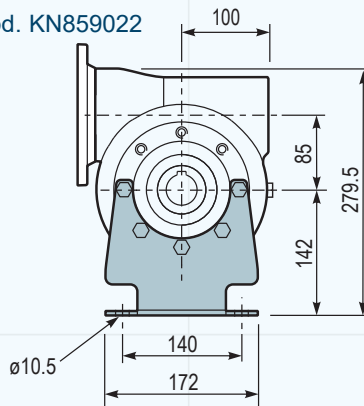


PN85 PAI

Feet

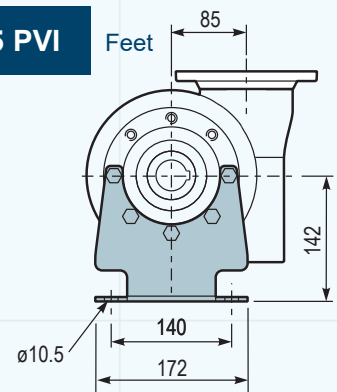


kit cod. KN859022



PN85 PVI

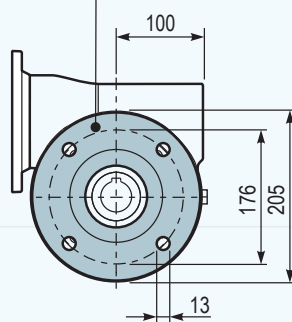
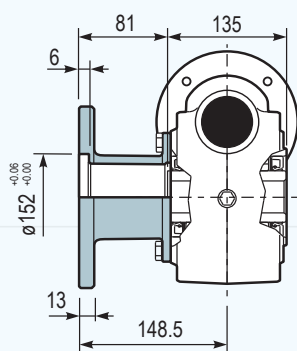
Feet



PN85 FLL

Output flange

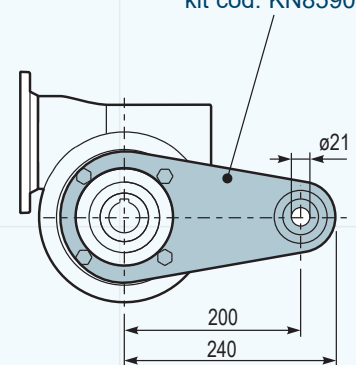
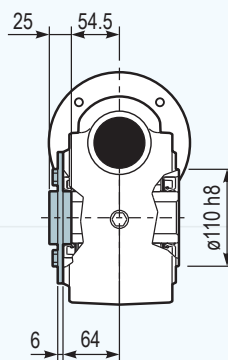
kit cod. KN859011



PN85 BRI

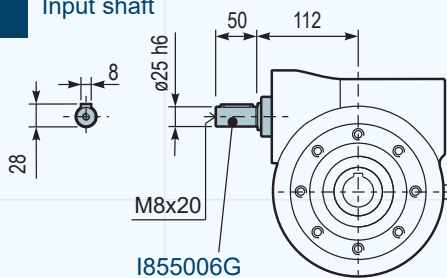
Reaction arm

kit cod. KN859027



RN85UNI

Input shaft



PN85 SMK

Single output shaft

kit cod. KN850209
Protection cap
(on request)

