

X42N


130Nm

BVN Series

Full stainless steel helical gearboxes

The dynamic efficiency is 0.96 for all ratios

Input speed (n1) = 1400 min-1

Output speed n ₂ [min-1]	Ratio i	Motor power P _{1M} [kW]	Output torque M _{2M} [Nm]	Service factor f.s	Nominal power P _{1R} [kW]	Nominal torque M _{2R} [Nm]	B5 motor flanges		B14 motor flanges			Output shaft 	Ratio code
							-	-	-Q	-R	-T		
192	7.29	1.5	71	1.1	1.7	130	-	-	71	80	90	2811	01
125	11.20	1.5	110	1.2	1.8	130	-	-	71	80	90	288	02
106	13.18	1.5	129	1.0	1.5	130	-	-	71	80	90	1911	03
92	15.27	1.1	109	1.2	1.3	130	-	-	71	80	90	1711	04
78	17.93	1.1	128	1.0	1.1	130	-	-	71	80	90	1511	05
69	20.25	1.1	145	0.9	0.98	130	-	-	71	80	90	198	06
65	21.40	0.75	105	1.2	0.93	130	-	-	71	80	90	1311	07
60	23.47	0.75	115	1.1	0.85	130	-	-	71	80	90	178	08
51	27.55	0.75	135	1.0	0.72	130	-	-	71	80	90	158	09
47.9	29.21	0.75	143	0.9	0.68	130	-	-	71	80	90	1011	10
42.6	32.88	0.55	119	1.1	0.60	130	-	-	71	80	90	138	11
36.7	38.12	0.55	138	0.9	0.52	130	-	-	71	80	90	911	12
31.2	44.89	0.37	109	1.2	0.44	110	-	-	71	80	90	108	13
27.8	50.34	0.37	122	0.9	0.33	130	-	-	71	80	90	711	14
23.9	58.58	0.37	142	0.9	0.34	130	-	-	71	80	90	98	15
18.1	77.36	0.25	126	1.0	0.26	28	-	-	71	80	90	78	16

Motor flanges available



B) Supplied with reduction bushing

B) Available on request without reduction bushing



C) Motor flange holes position

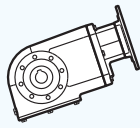
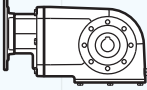
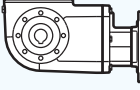
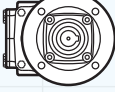
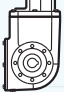

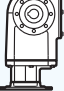
Lubrication

Unit X42N is supplied with synthetic oil to assure long life lubrication.

Food grade oil is available on request.

See Table 1 for lubrication and recommended quantity.

See Table 2 for possible radial and axial loads on the gearbox.

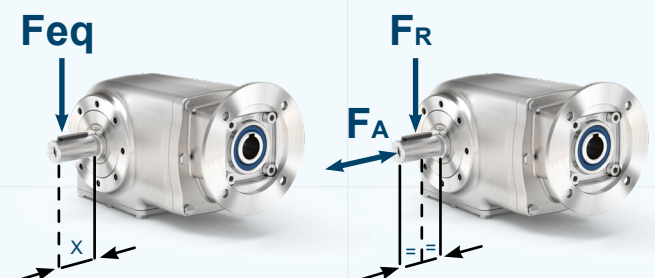
Shell Omala S4 WE 320	Eni Telium VSF 320	V8 On request ASK	
B3 Standard 0.50 L		B8 On request 0.85 L	
B6 On request 0.80 L		V5 On request 1.30 L	
B7 On request 0.75 L		V6 On request 0.90 L	

Radial and axial loads

Output shaft

n ₂ [min-1]	Fa [N]	Fr [N]
250	500	2500
150	600	3000
100	700	3500
75	800	4000
50	960	4800
25	960	4800
15	960	4800

$$F_{eq} = F_R \cdot \frac{123}{X + 97}$$



X42N

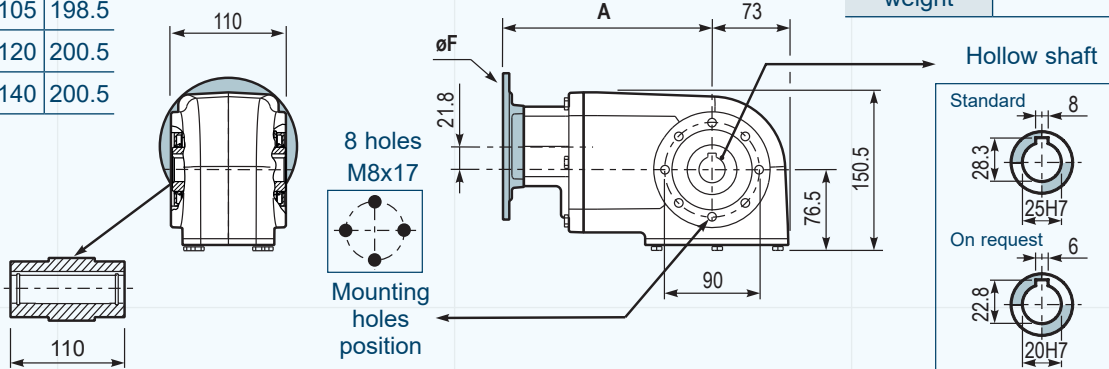
130Nm

PX42NI FB

Basic gearbox

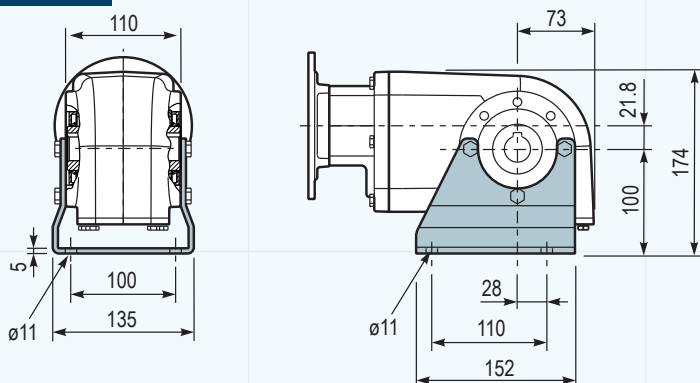
M. flanges	Kit code	øF	A
71B14	KI634047	105	198.5
80B14	KI634046	120	200.5
90B14	KI634041	140	200.5

Gearbox weight	12.8 kg
----------------	---------



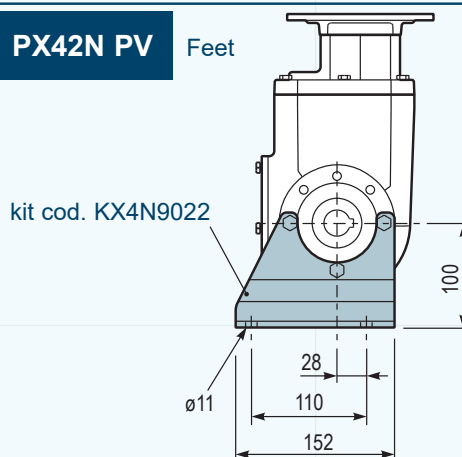
PX42N PA

Feet



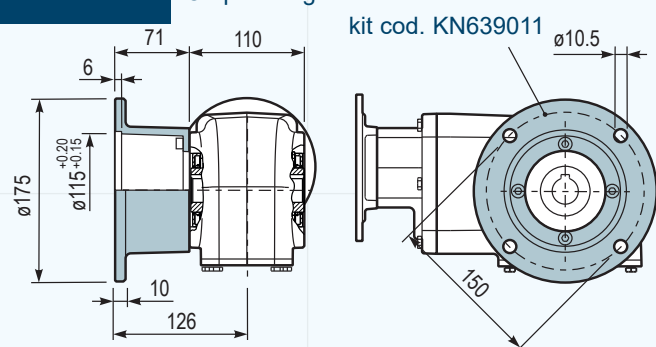
PX42N PV

Feet



PX42N-FL

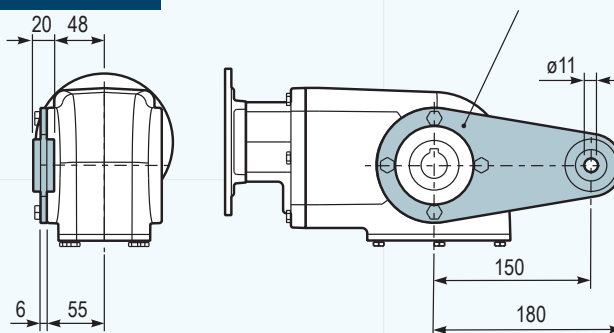
Output flange



PX42N BR

Reaction arm

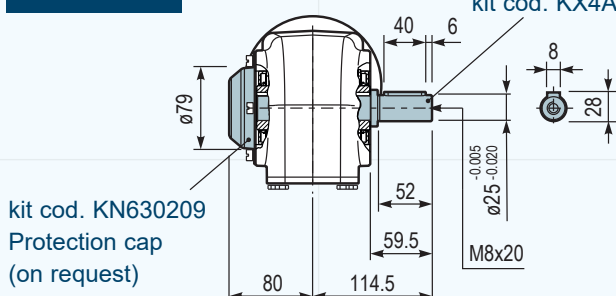
kit cod. KN639027



PX42N A

Single output shaft

kit cod. KX4A5028



Suggested

Stainless steel protection cap
(on request).

kit cod. KN630209

