



N45

41Nm

VFN series

Full stainless steel round worm gearboxes

Input speed (n1) = 1400 min-1

Output speed	Ratio	Motor power	Output torque	Service factor	Nominal power	Nominal torque	B5 motor flanges		B14 motor flanges		Dynamic efficiency	Tooth module	Ratio code
n2 [min-1]	i	P1M [kW]	M2M [Nm]	f.s	P1R [kW]	M2R [Nm]	-	-	-P	-Q	RD		
								63	71	[mm]			
200	7	0.37	14	2.2	0.80	30			B-C		80	2.2	01
140	10	0.37	20	1.5	0.57	30			B-C		79	2.2	02
100	14	0.37	27	1.1	0.41	30			B-C		77	2.4	03
67	21	0.37	36	1.2	0.43	41			B-C		67	1.6	04
50	28	0.25	31	1.3	0.33	41			B-C		65	2.5	05
38	37	0.25	40	1.0	0.26	41			B-C		63	1.8	06
30	46	0.25	46	0.9	0.22	41			B-C		59	1.5	07
23	60	0.18	41	1.0	0.18	41			B-C		56	1.2	08
20	70	0.12	31	1.0	0.12	30			B-C		54	1.0	09
13.7	102	0.12	41	0.7	0.09	29			B-C		49	0.72	10

Motor flanges available



B) Supplied with reduction bushing

B) Available on request without reduction bushing



C) Motor flange holes position

Lubrication

Unit N45 is supplied with synthetic oil to assure long life lubrication.

Food grade oil is available on request.

See Table 1 for lubrication and recommended quantity.

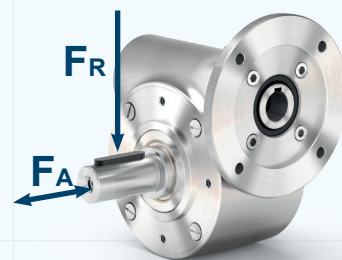
See Table 2 for possible radial and axial loads on the gearbox.

Oil quantity for all positions:	Shell	Eni
0.13 L	Omala S4 WE 320	Telium VSF 320

Radial and axial loads

Output shaft

n2 [min-1]	Fa [N]	Fr [N]
200	180	900
150	200	1000
100	220	1100
75	240	1200
50	260	1400
25	300	1800
15	400	2000



Suggested

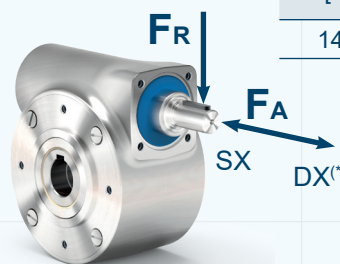
Stainless steel protection cap (on request).

Kit cod. KN300209



Input shaft

n1 [min-1]	Fa [N]	Fr [N]
1400	42	210



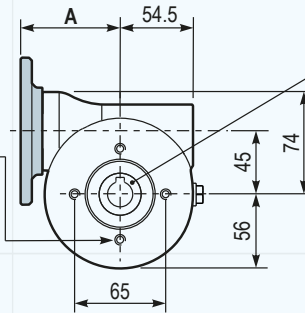
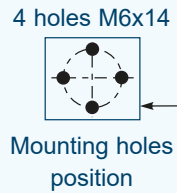
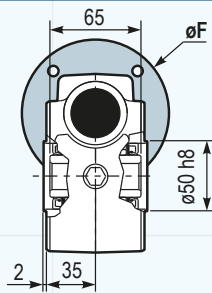
* Strong axial loads in the DX direction are not allowed.

PN45 UNI

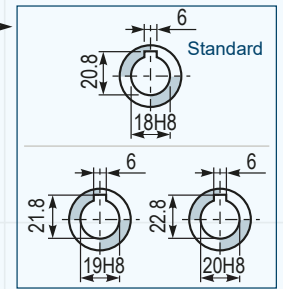
Basic gearbox

M. flanges	Kit code	øF	A
63B14	KI504047	90	73.5
71B14	KI504045	105	71

Gearbox weight	4.1 kg
----------------	--------



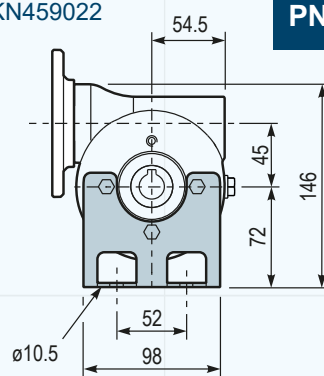
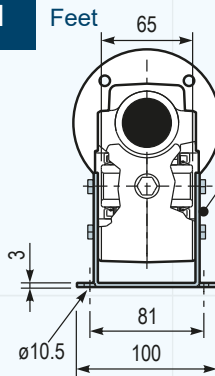
Hollow shaft



PN45 PAI

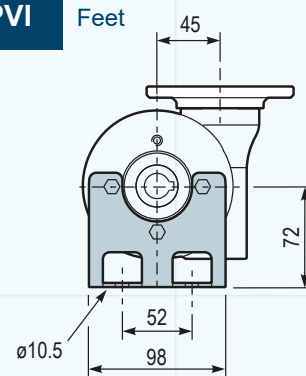
Feet

kit cod. KN459022



PN45 PVI

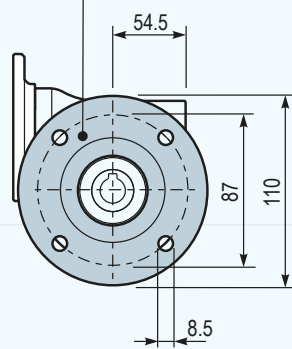
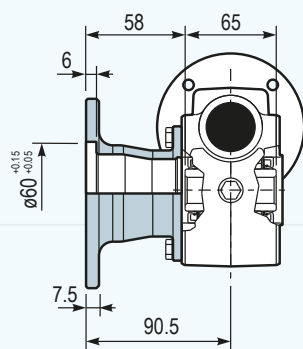
Feet



PN45 FLL

Output flange

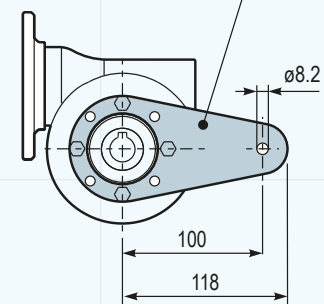
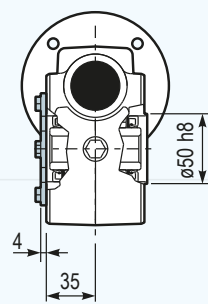
kit cod. KN459011



PN45 BRI

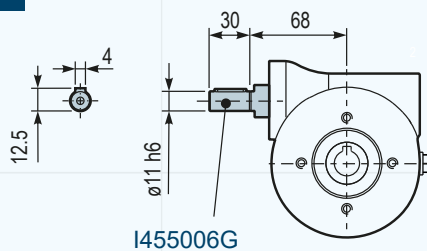
Reaction arm

kit cod. KN459027



RN45UNI

Input shaft



PN45 SMB

Single output shaft

kit cod. KN300209
Protection cap
(on request)

