

X43N






136Nm

BVN Series

Full stainless steel helical gearboxes

The dynamic efficiency is 0.94 for all ratios

Input speed (n₁) = 1400 min⁻¹

Output speed	Ratio	Motor power	Output torque	Service factor	Nominal power	Nominal torque	B5 motor flanges		B14 motor flanges						
n ₂ [min ⁻¹]	i	P _{1M} [kW]	M _{2M} [Nm]	f.s	P _{1R} [kW]	M _{2R} [Nm]	-	-	-P	-Q					
27.8	50.35	0.37	119	1.1	0.40	130	-	-	63	71	standard ø25				
25.4	55.22	0.37	131	1.0	0.37	130			C					171311	01
23.4	59.92	0.37	142	0.9	0.34	130			C					17178	02
21.3	65.72	0.25	105	1.2	0.31	130			C					151311	03
19.5	71.78	0.25	115	1.1	0.28	130			C					15178	04
17.6	79.44	0.25	127	1.0	0.26	130			C					101711	05
15.2	92.08	0.25	147	0.9	0.22	130			C					13178	06
14.7	95.03	0.25	152	0.9	0.21	130			C					15138	07
11.1	126.55	0.18	155	0.9	0.17	136			C					91711	08
10.5	133.15	0.12	105	1.3	0.16	136			C					71711	09
9.3	150.18	0.12	119	1.1	0.14	136			C					91311	10
7.9	177.30	0.12	140	1.0	0.12	136			C					61711	11
6.7	210.42	0.12*	166	0.8	0.10	136			C					71311	12
6.1	230.79	0.12*	182	0.7	0.09	136			C					61311	13
5.1	272.47	0.12*	215	0.6	0.08	136			C					6178	14
4.3	323.37	0.12*	256	0.5	0.07	136			C					7138	15
									C		6138	16			

* Power higher than the maximum one which can be supported by the gearbox. Select according to the torque M_{2R}

Motor flanges available



B) Supplied with reduction bushing

B) Available on request without reduction bushing



C) Motor flange holes position

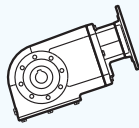
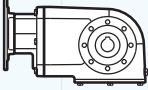
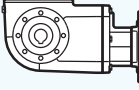
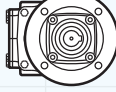
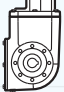
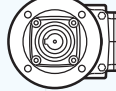
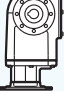
Lubrication

Unit X43N is supplied with synthetic oil to assure long life lubrication.

Food grade oil is available on request.

See Table 1 for lubrication and recommended quantity.

See Table 2 for possible radial and axial loads on the gearbox.

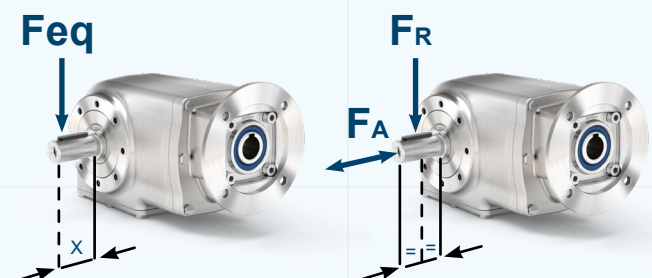
Shell Omala S4 WE 320	Eni Telium VSF 320	V8 On request ASK	
B3 Standard 0.90 L		B8 On request 0.85 L	
B6 On request 0.80 L		V5 On request 1.40 L	
B7 On request 0.75 L		V6 On request 0.90 L	

Radial and axial loads

Output shaft

n ₂ [min ⁻¹]	F _a [N]	F _r [N]
250	500	2500
150	600	3000
100	700	3500
75	800	4000
50	960	4800
25	960	4800
15	960	4800

$$F_{eq} = F_R \cdot \frac{123}{X + 97}$$

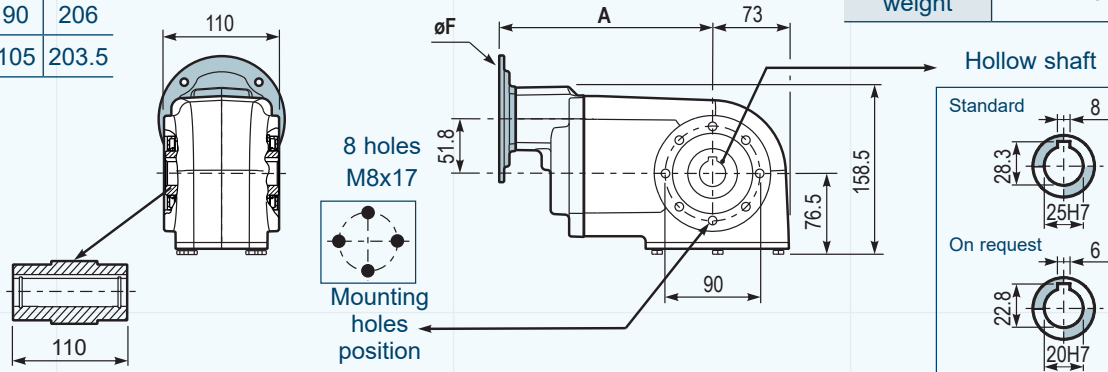


PX43NI FB

Basic gearbox

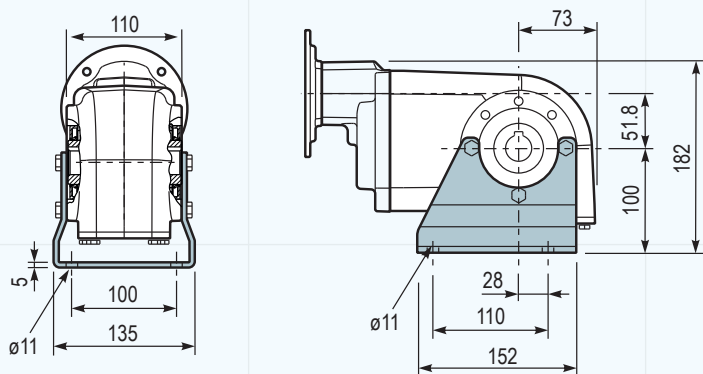
M. flanges	Kit code	øF	A
71B14	KI504047	90	206
80B14	KI504045	105	203.5

Gearbox weight	13.0 kg
----------------	---------



PX43N PA

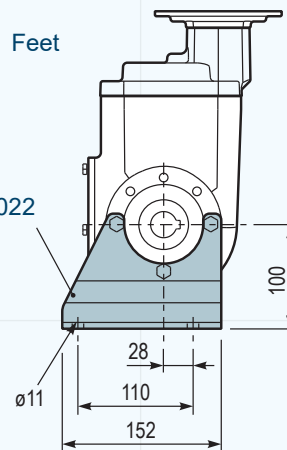
Feet



PX43N PV

Feet

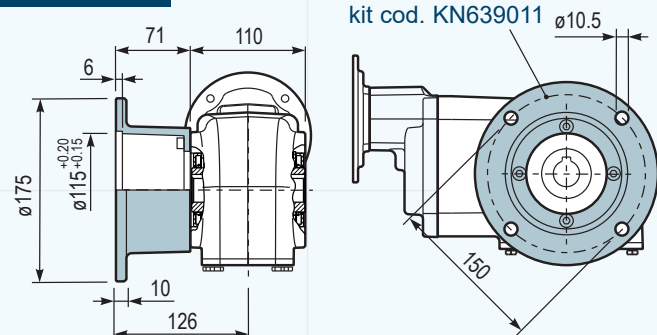
kit cod. KX4N9022



PX43N-FL

Output flange

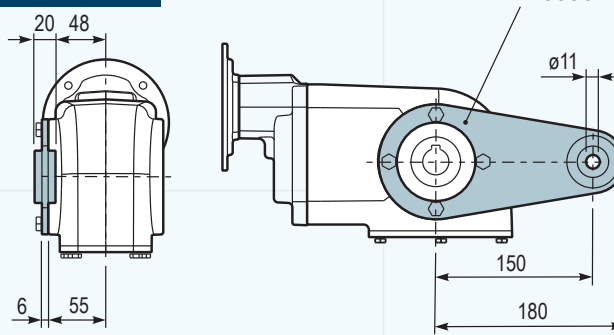
kit cod. KN639011



PX43N BR

Reaction arm

kit cod. KN639027

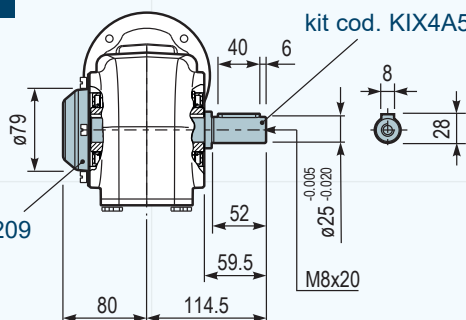


PX43N A

Single output shaft

kit cod. KIX4A5028

kit cod. KN630209
Protection cap
(on request)



Suggested

Stainless steel protection cap
(on request).

kit cod. KN630209

