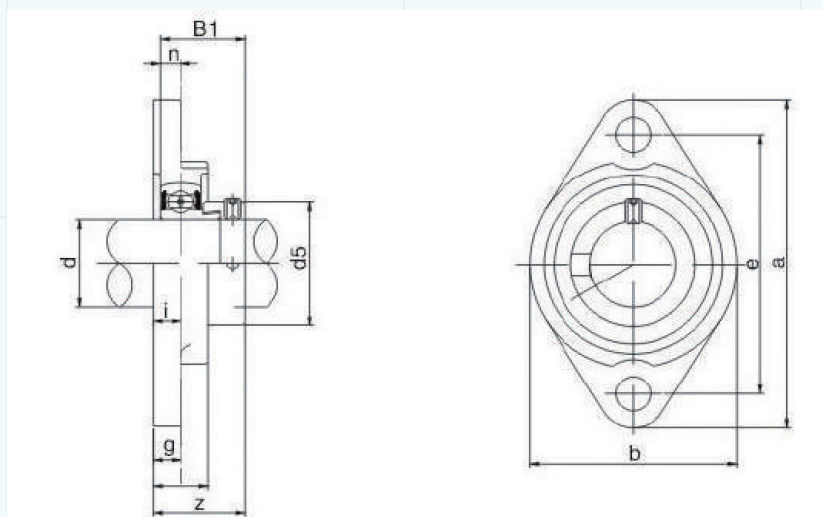


MUFL - Mini stainless steel flange bearings

with eccentric collar lock



Technical specifications & drawings



Item No.	d	a	e	i	g	l	s	b	B1	n	d5	Bolt size	Weight [kg]
MUFL000	10	60	45	5.5	5.5	11.5	7	36	17.5	4.0	17	M6	0.06
MUFL001	12	63	48	5.5	5.5	11.5	7	38	17.5	4.0	19	M6	0.07
MUFL002	15	67	53	6.5	6.5	13	7	42	18.5	4.5	22	M6	0.10
MUFL003	17	71	56	7.0	7.0	14	7	46	20.5	5.0	25	M6	0.13
MUFL004	20	90	71	8.0	8.0	16	10	55	24.5	6.0	30	M8	0.20
MUFL005	25	95	75	8.0	8.0	16	10	60	25.5	6.0	36	M8	0.24
MUFL006	30	112	85	9.0	9.0	18	13	70	26.5	6.5	42	M10	0.35
MUFL007	35	122	95	10.0	10.0	20	13	80	29.5	7.0	48	M10	0.50

All measurements are in millimeters. When ordering please use the catalogue numbers.

BJ-Gear A/S

Niels Bohrs Vej 47
DK-8660 Skanderborg
Denmark

Phone +45 87 40 80 80
Email bj@bj-gear.com
Website www.bj-gear.com