

T3A132S-4 5,5KW 400/690V B14

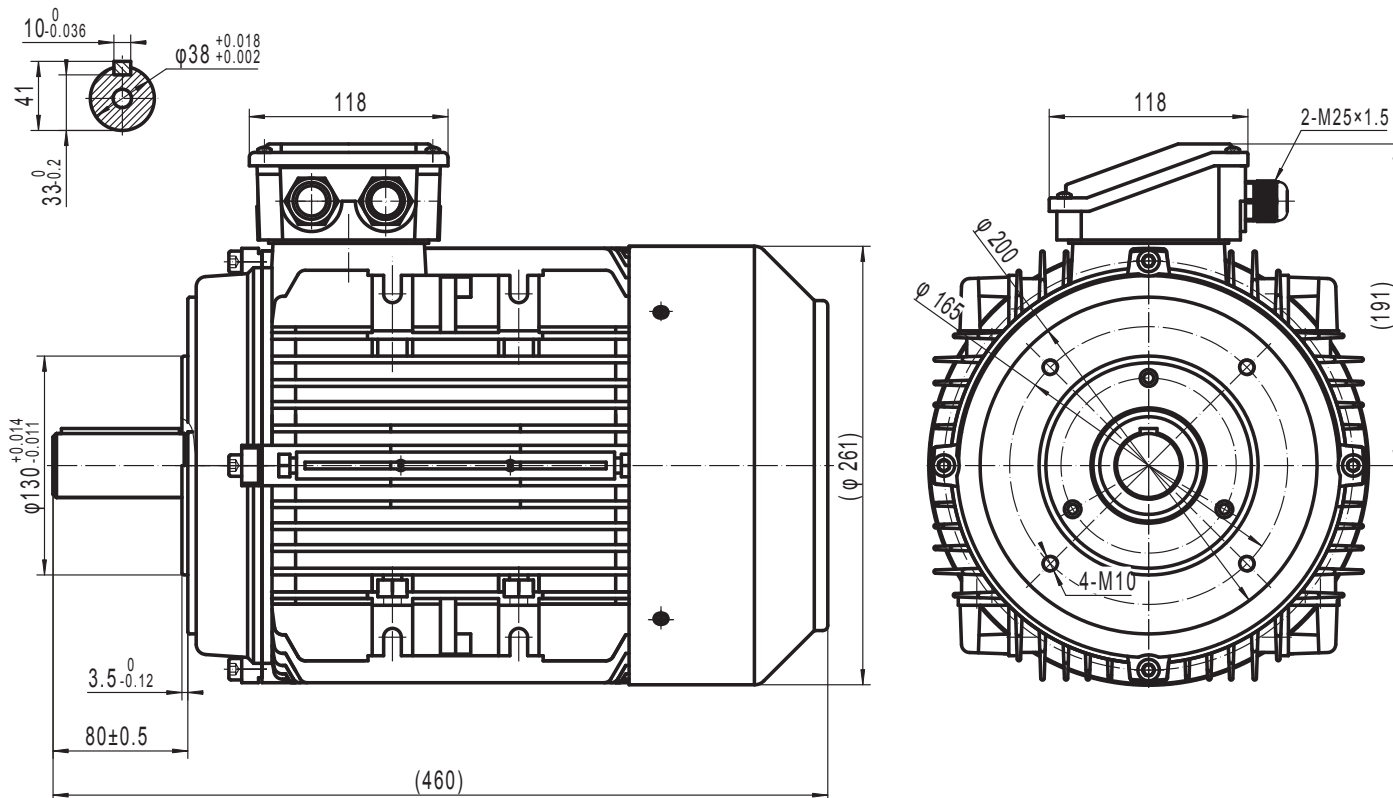
Three-phase asynchronous motor in aluminum

Motor type T3A132S-4 5,5KW 400/690V B14
 Brand BUSCK
 Item number 93041323

Voltage V	Power kW	Frequency Hz	Current A	Speed rpm
400	5,5	50	10,5	1460
690	5,5	50	6,04	1460
460	6,33	60	10,5	1752

Duty	S1	Efficiency class	IE3
Enclosure	IP55	Efficiency, load 100%	89,6
Insulation class	F	Efficiency, load 75%	89,8
Cooling	IC411 (TEFC)	Efficiency, load 50%	89,4
Max. ambient temp.	40°C	Power fact, load 100%	0,84
Min. ambient temp.	-20°C	Painting	Standard
Max. temp. rise	80 K	Color	RAL 9005
Max altitude, masl	1000	Weight kg	47,4
Torque, Nm	35,98	Sound pressure Lp dB(A)	71
Starting torque ratio	2,3	Bearing DE	6308-2Z/C3
Pull up torque ratio	1,9	Bearing NDE	6208-2Z/C3
Pull out torque ratio	3,5	Balance grade	Normal
Starting current ratio	9	Inertia kgm ²	0,0344641
Winding protection	Thermocontacts	Cable entries	2xM25, 1xM16

Note IE3, Termokontakter



BUSCK
www.busck.eu

Busck & Co AB
 Gamla Riksvägen 14
 428 32 Göteborg
 Sweden
 556027-1990
info@busck.se

Busck & Co ApS
 Postboks 108
 0900 København C
 Denmark
info@busck.eu

Busck AS
 Skibåsen 35C
 4636 Kristiansand
 Norway
info@busck.no