

T3A160MB-8 5,5KW 400/690V B5

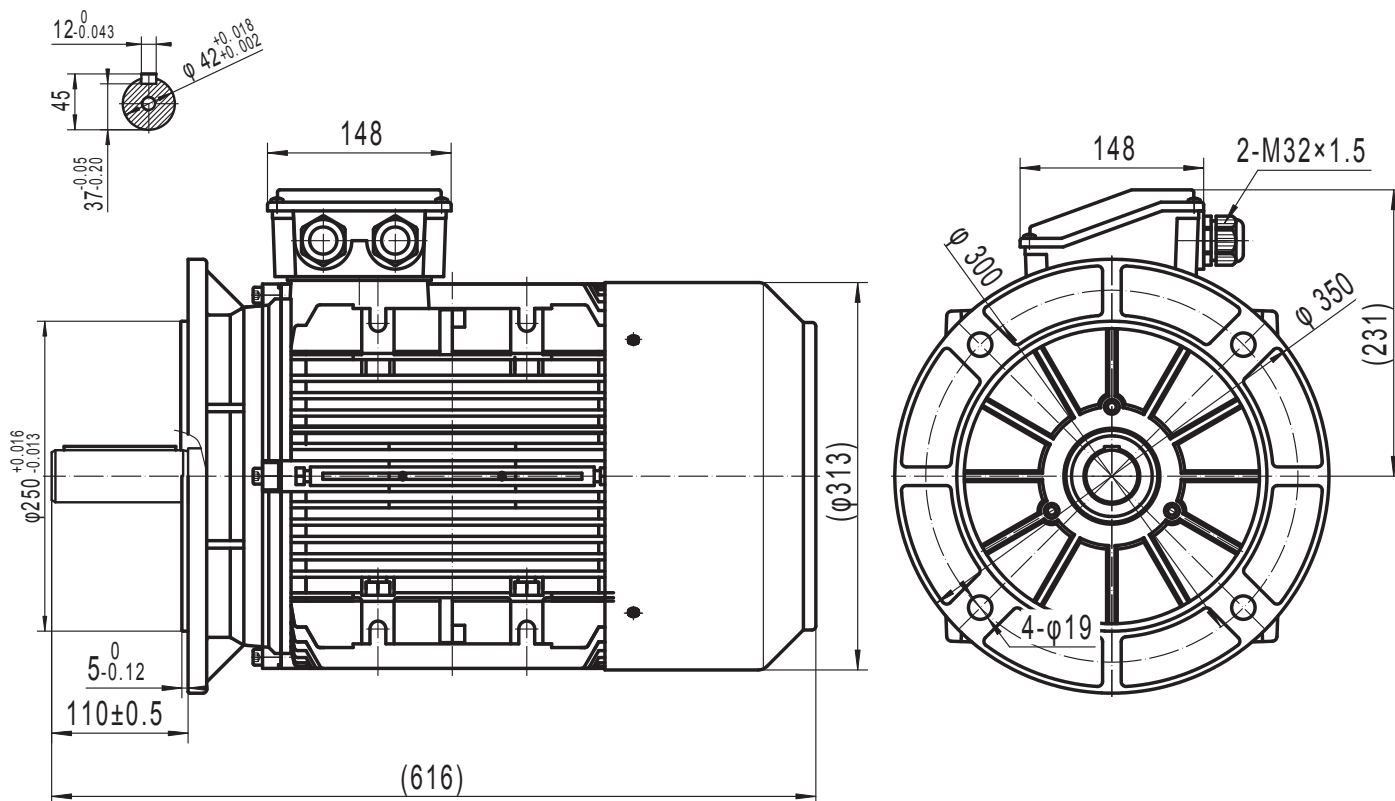
Three-phase asynchronous motor in aluminum

Motor type T3A160MB-8 5,5KW 400/690V B5
 Brand BUSCK
 Item number 93081612

Voltage V	Power kW	Frequency Hz	Current A	Speed rpm
400	5,5	50	13,0	715
690	5,5	50	7,48	715
460	6,33	60	13,0	858

Duty	S1	Efficiency class	IE3
Enclosure	IP55	Efficiency, load 100%	86,2
Insulation class	F	Efficiency, load 75%	86,9
Cooling	IC411 (TEFC)	Efficiency, load 50%	86
Max. ambient temp.	40°C	Power fact, load 100%	0,71
Min. ambient temp.	-20°C	Painting	Standard
Max. temp. rise	80 K	Color	RAL 9005
Max altitude, masl	1000	Weight kg	74,2
Torque, Nm	73,46	Sound pressure Lp dB(A)	68
Starting torque ratio	2,1	Bearing DE	6309-2Z/C3
Pull up torque ratio	1,7	Bearing NDE	6209-2Z/C3
Pull out torque ratio	2,5	Balance grade	Normal
Starting current ratio	5,2	Inertia kgm ²	0,09761903
Winding protection	Thermistors	Cable entries	2xM32, 1xM16

Note IE3, PTC



BUSCK
www.busck.eu

Busck & Co AB
 Gamla Riksvägen 14
 428 32 Göteborg
 Sweden
 556027-1990
info@busck.se

Busck & Co ApS
 Postboks 108
 0900 København C
 Denmark
info@busck.eu

Busck AS
 Skibåsen 35C
 4636 Kristiansand
 Norway
info@busck.no